

Component Description

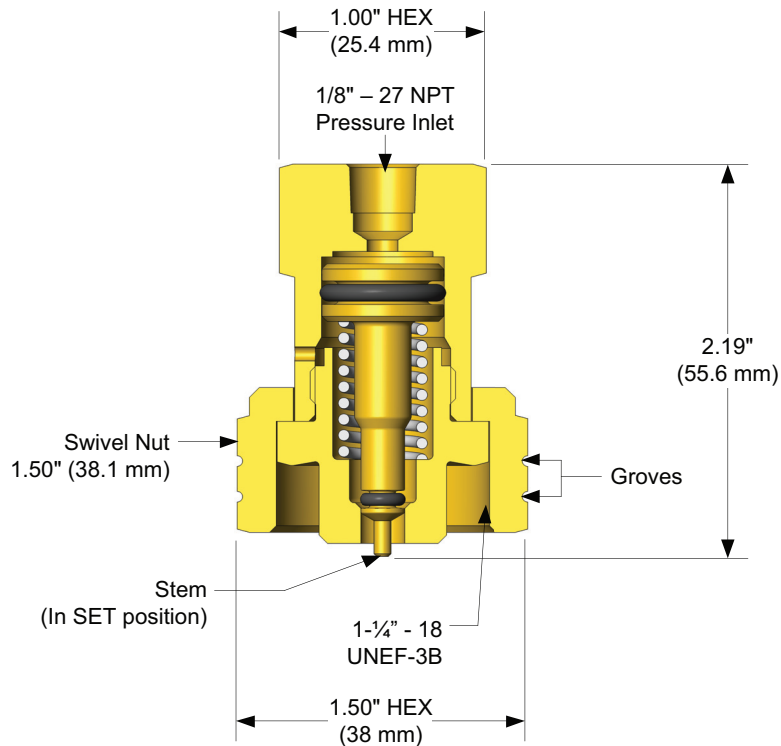
Pressure Operated Control Head For use with Marine Series Systems

Effective: July 2015
K-85-5010 Rev AA

FEATURES

- *UL Listed, ULC Listed, and USCG Approved for use with systems listed below in the Compatibility table.*

P/N: 85-878737-400



MATERIAL

Body, Retaining Nut, and Piston: Brass

COMPATIBILITY

Series	For Use With	Marine DIOM Manual P/N	Marine Supplement P/N
Kidde ECS with HFC-227ea Agent	X	06-236225-001	06-236225-005
Kidde ECS with 3M™ Novec™ 1230 Fire Protection Fluid	X	06-236559-001	06-236559-004
Kidde High Pressure CO ₂	X	220610	81-220610-004

This literature is provided for informational purposes only. KIDDE-FENWAL, INC. assumes no responsibility for the product's suitability for a particular application. The product must be properly applied to work correctly. If you need more information on this product, or if you have a particular problem or question, contact KIDDE-FENWAL, Inc.

Kidde is a registered trademark of Kidde-Fenwal Inc. All other trademarks are the property of their respective owners.